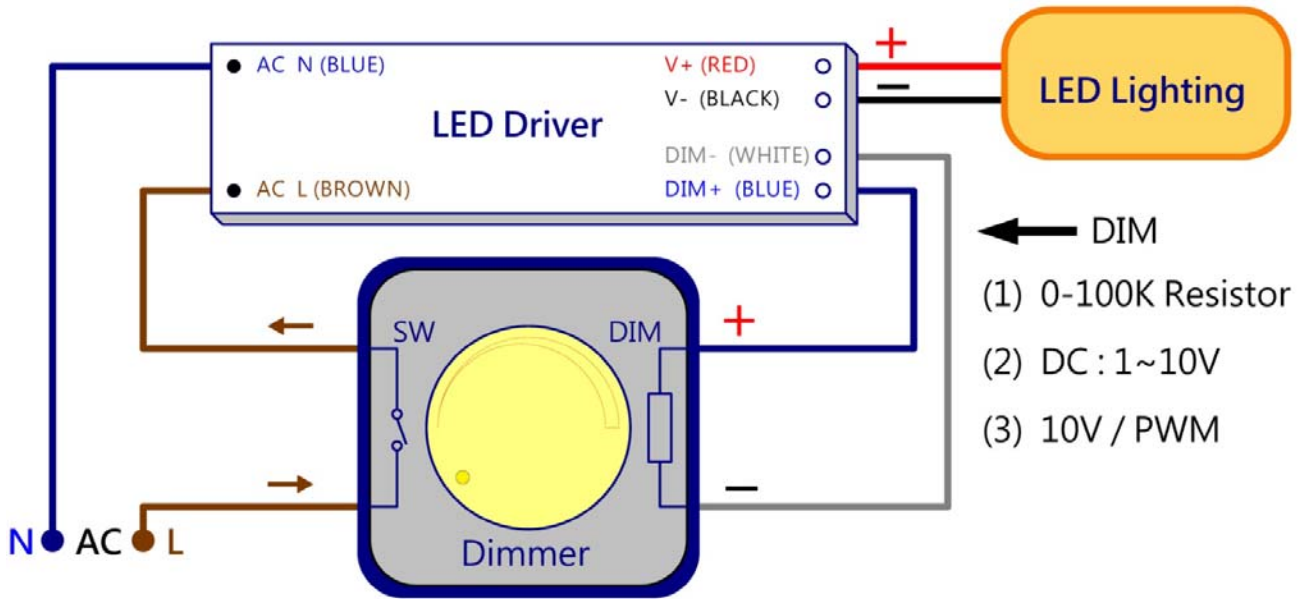




PL-series / DL-series 3in 1 Dimmable Function Description

- ◆ Connecting a variable resistor/ 1~10 V Direct Voltage or a 10V / PWN signal can adjust the output of constant current.
- ◆ Connecting "DIM +/—" to "V +/—" may damage the LED driver.
- ◆ When the control cable DIM +/— is open, V +/— output will reach 100%.
- ◆ The 3 in 1 Dimmer is not capable of turning off the LED light completely. To turn off the light, we would recommend you to use the dimmer with a switch.
- ◆ To turn off the LED light, please refer to the following content.

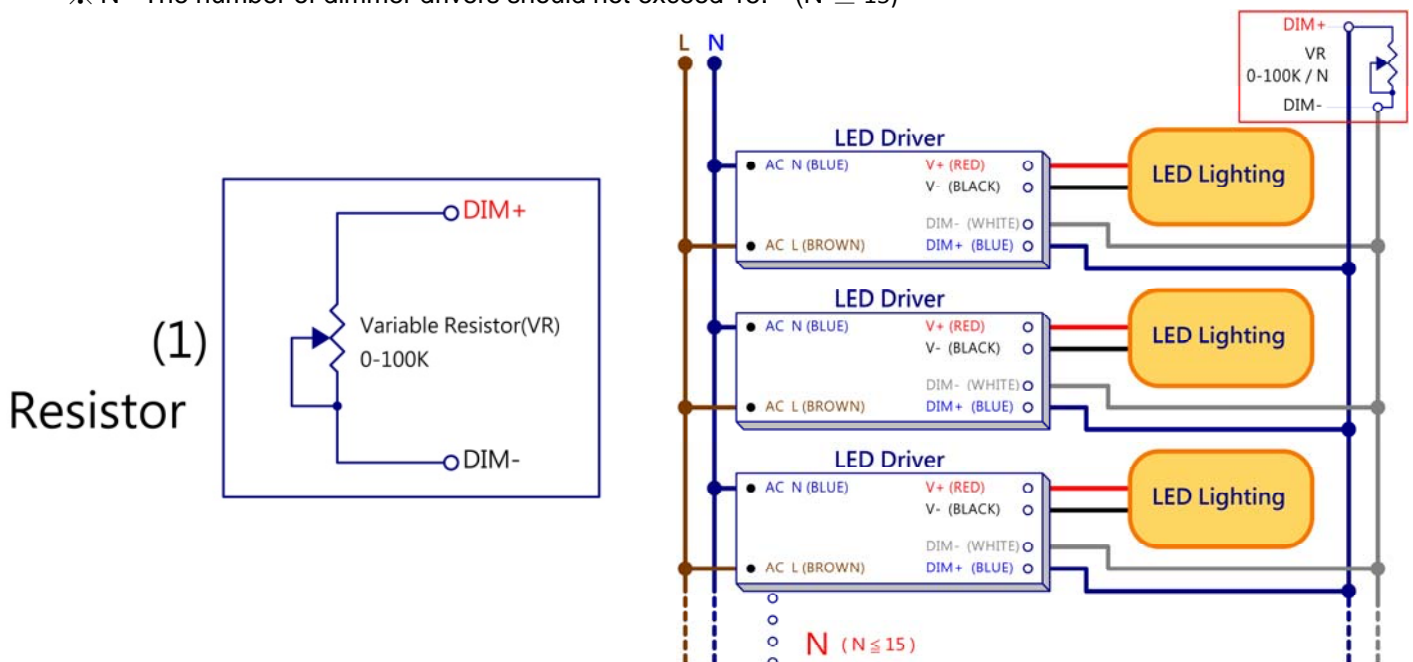


◆ (1) 0-100K Resistor Dimmable (Typical) :

Resistor	Single-driver	10K	20K	30K	40K	50K	60K	70K	80K	90K	100K
	Multi-driver	10K/N	20K/N	30K/N	40K/N	50K/N	60K/N	70K/N	80K/N	90K/N	100K/N
Iout (%)		10%	20%	30%	40%	50%	60%	70%	80%	90%	100%

※The length of extended wire for DIM +/— shall not exceed 20 meters. (Wire ≤ 20m)

※ N =The number of dimmer drivers should not exceed 15. (N ≤ 15)



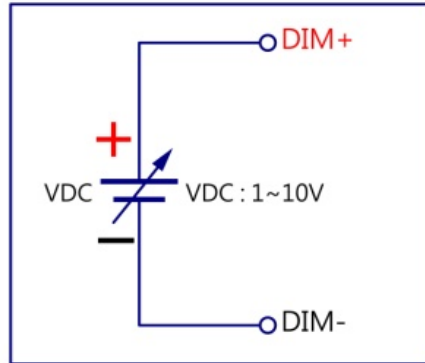
(1)
Resistor



◆ (2) DC : 1-10V Dimmable (Typical) :

DIM (Voltage)	1V	2V	3V	4V	5V	6V	7V	8V	9V	10V
lout (%)	10%	20%	30%	40%	50%	60%	70%	80%	90%	100%

(2)
1~10V



◆ (3) 10V / PWM Dimmable (Typical) :

DIM (10V / PWM)	10%	20%	30%	40%	50%	60%	70%	80%	90%	100%
lout (%)	10%	20%	30%	40%	50%	60%	70%	80%	90%	100%

(3)
10V / PWM

